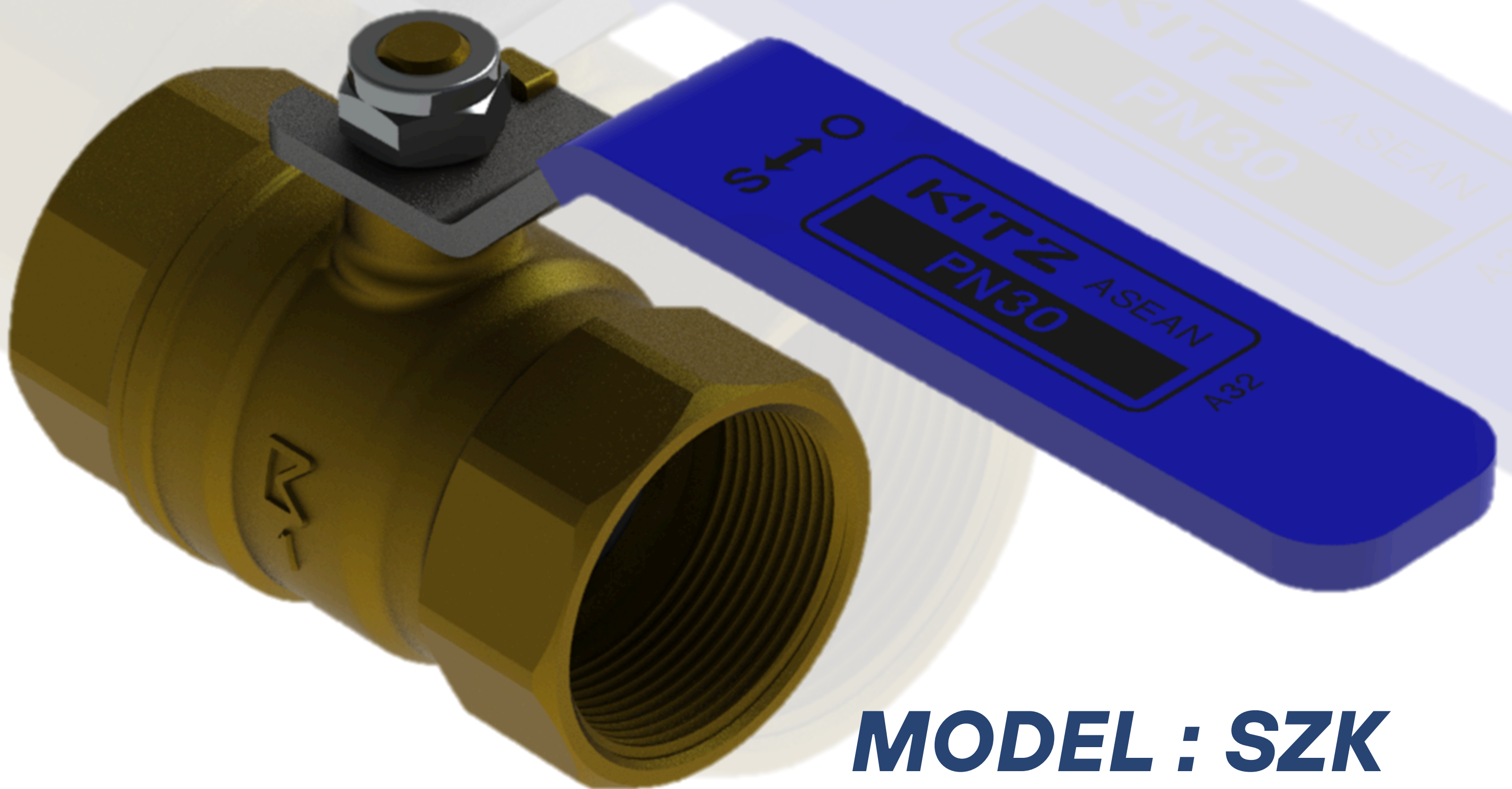


NEW PRODUCT

Forged Brass Full-bore Type Ball valve



MODEL : SZK

- Light weight and compact design
- Double O-ring seal FKM Structure
- Low torque operation

Model SZK : Rc Thread
AKSZK : NPT Thread

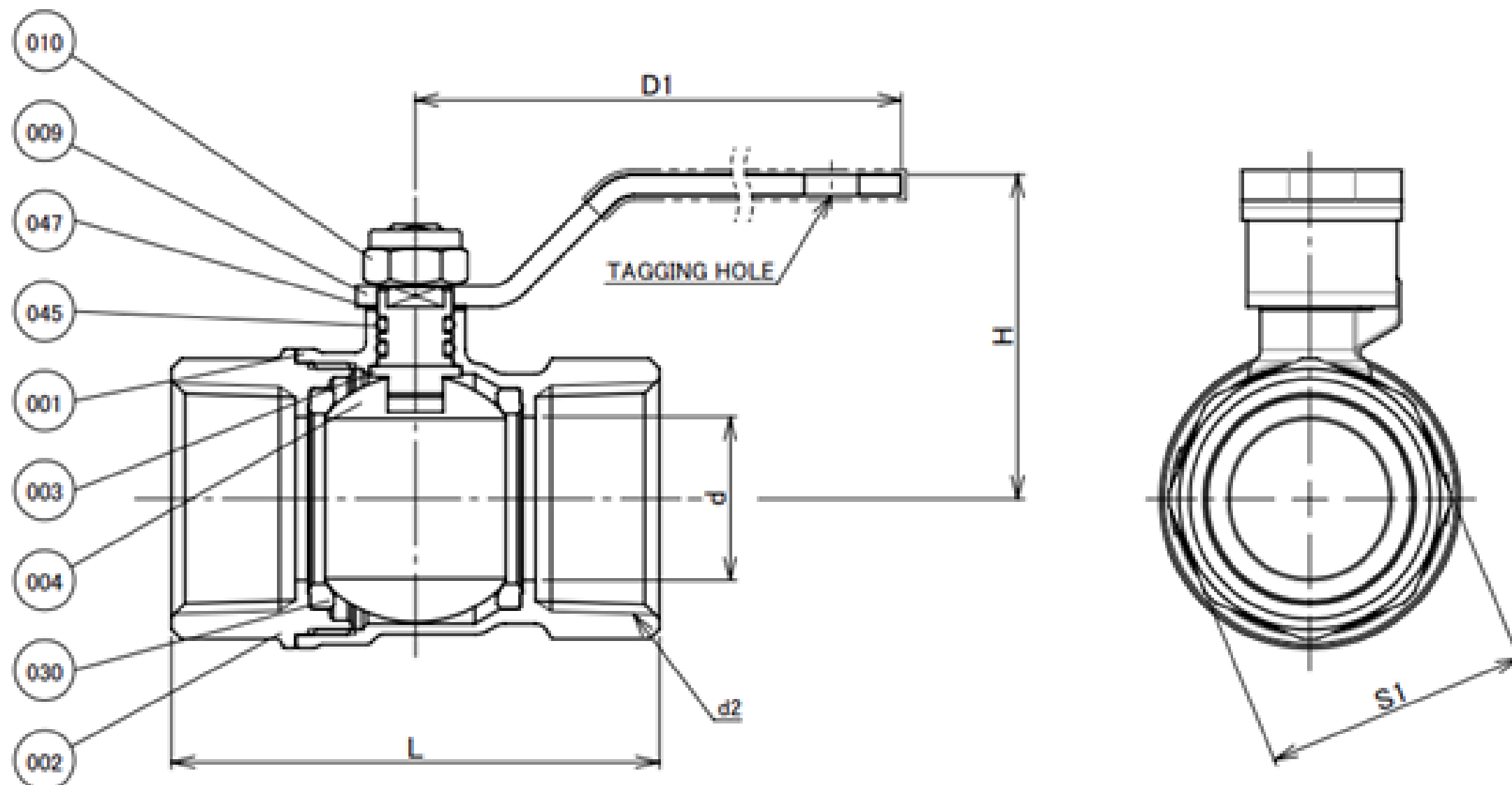
Specification

- Size Range : DN 15-DN 50 (1/2" - 2")
- Pressure : 3.0 MPa
- Temperature : -10 ~ 100 °C
- Fluid : Water / Air

※This valve is not designed to handle toxic gases.
 Use specially designed or certified valves for flammable gas service.

Main parts material

No.	Parts name	Material	Coating
001	Body	Brass C3771BE	-
002	Cap	Brass C3771BE	-
003	Stem	Brass C3604BD	Ni
004	Ball	Brass C3771BE	Ni-Cr
009	Lever	SPCC	-
010	U nut (M8)	SS400	-
030	Ball seat	PTFE	-
045	O ring	FKM	-
047	Thrust washer	PBT	-



Dimension Table

Unit : mm.

Dominal Size		d	d2		H	D1	L	S1
A	B		Rc	NPT				
15	1/2	14	Rc 1/2	NPT 1/2	38	80	48	24
20	3/4	18.5	Rc 3/4	NPT 3/4	41	80	55	30
25	1	23.5	Rc 1	NPT 1	47	110	62	36
32	1 1/4	29	Rc 1 1/4	NPT 1 1/4	52	110	75	46
40	1 1/2	37	Rc 1 1/2	NPT 1 1/2	60	150	82	52
50	2	47	Rc 2	NPT 2	69	150	101	65